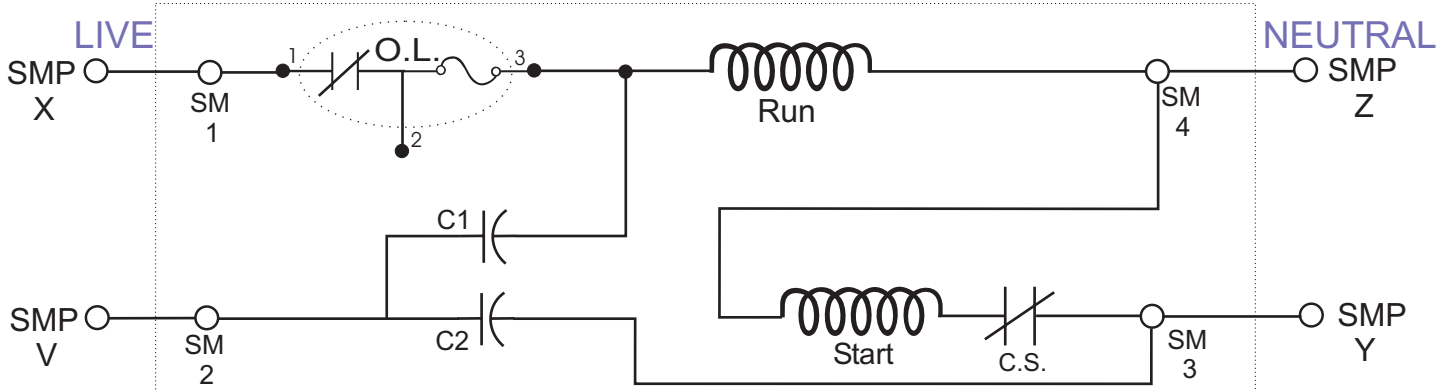


## Solid State Start Switch (Combination)

**General Electric** Table and Sweep Motors AMF 82-30  
**Westinghouse** Table and Sweep Motors AMF 82-30

Single Voltage **115V** motor

**Before** 82-30

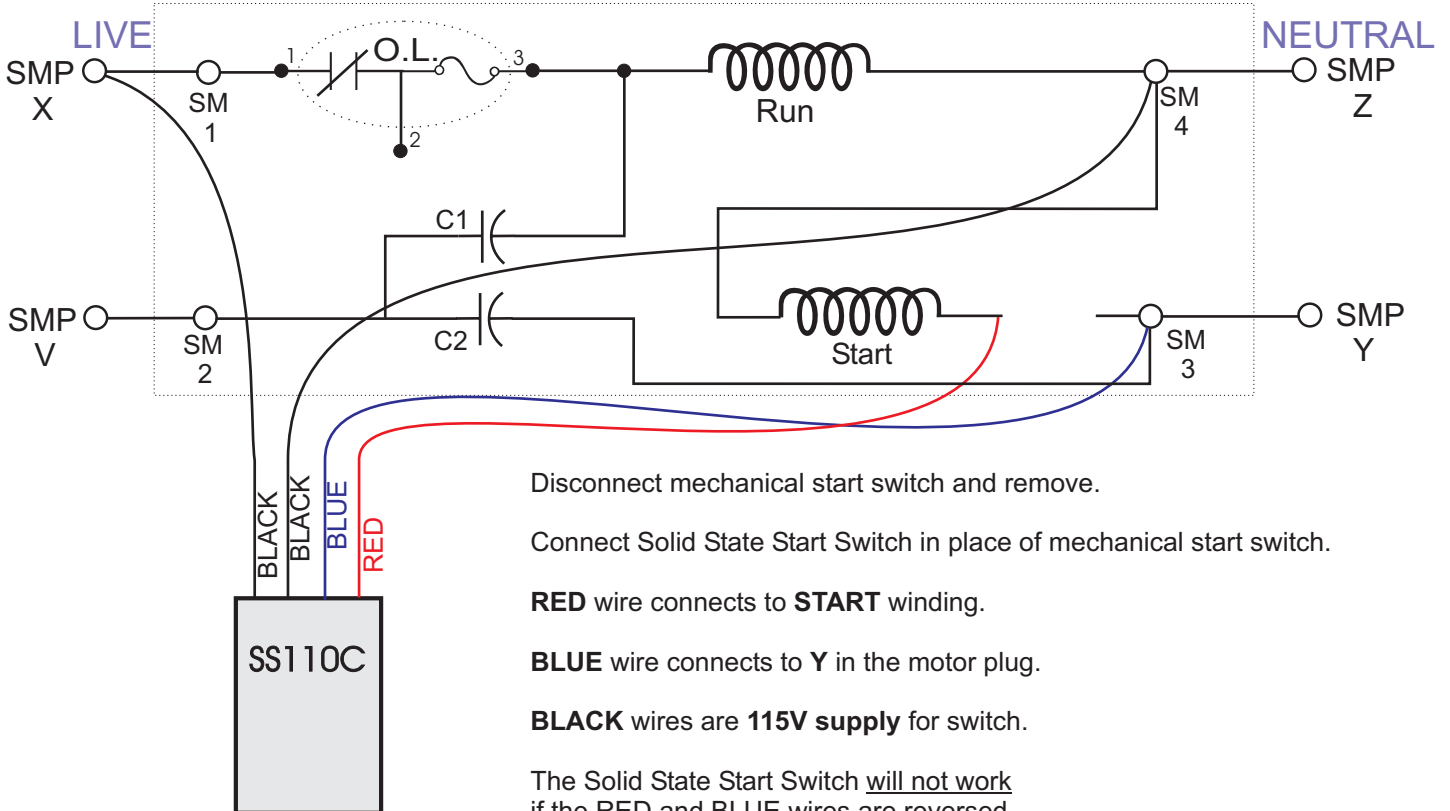


The RED and BLUE wires of the Solid State Start Switch take the place of the mechanical start switch.

The two BLACK wires supply 115V to power the switch.

The Solid State Start Switch senses the load on the motor by constantly measuring the current draw in order to determine when and for how long the START windings are required to be in-circuit.

**After** 82-30



Disconnect mechanical start switch and remove.

Connect Solid State Start Switch in place of mechanical start switch.

**RED** wire connects to **START** winding.

**BLUE** wire connects to **Y** in the motor plug.

**BLACK** wires are **115V supply** for switch.

The Solid State Start Switch will not work if the RED and BLUE wires are reversed.