

## Solid State Start Switch (Combination)

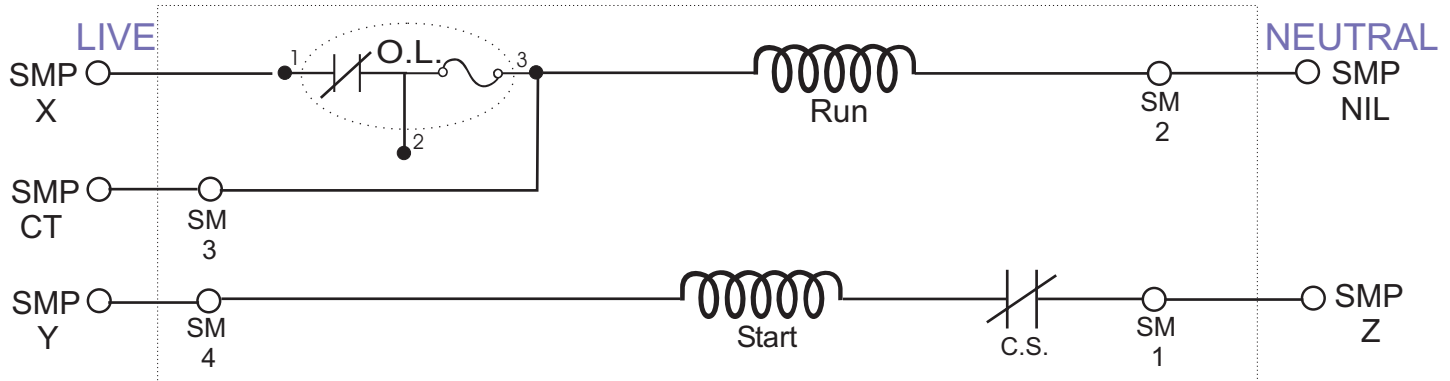
**General Electric** Table and Sweep Motors AMF 82-70

**Westinghouse** Table and Sweep Motors AMF 82-70

**Franklin and Smith** Table and Sweep Motors AMF 82-70

### Single Voltage 115V motor

#### Before

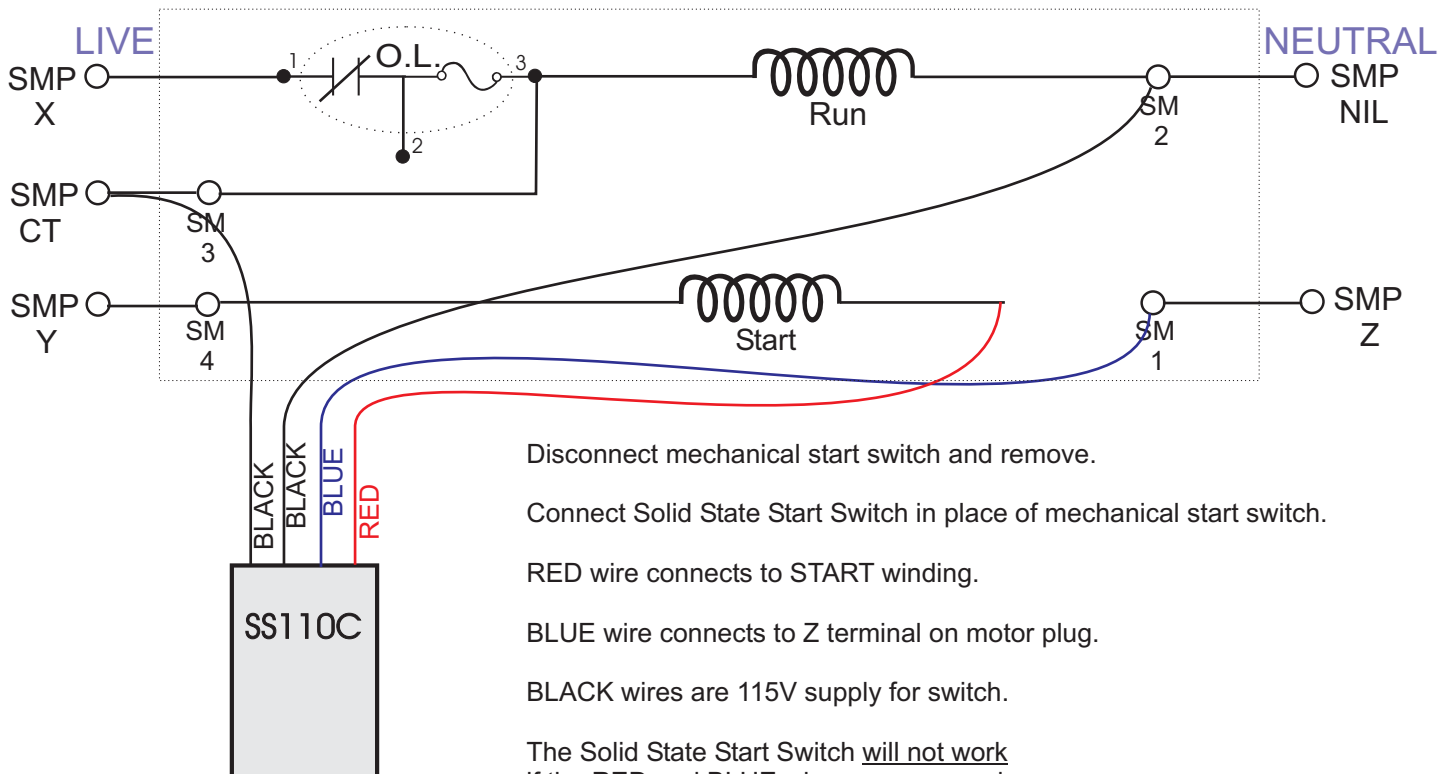


The RED and BLUE wires of the Solid State Start Switch take the place of the mechanical start switch.

The two BLACK wires supply 115V to power the switch.

The Solid State Start Switch senses the load on the motor by constantly measuring the current draw in order to determine when and for how long the START windings are required to be in-circuit.

#### After



Disconnect mechanical start switch and remove.

Connect Solid State Start Switch in place of mechanical start switch.

RED wire connects to START winding.

BLUE wire connects to Z terminal on motor plug.

BLACK wires are 115V supply for switch.

The Solid State Start Switch will not work if the RED and BLUE wires are reversed.

See also separate guide for REGAINING SWEEP REVERSE.