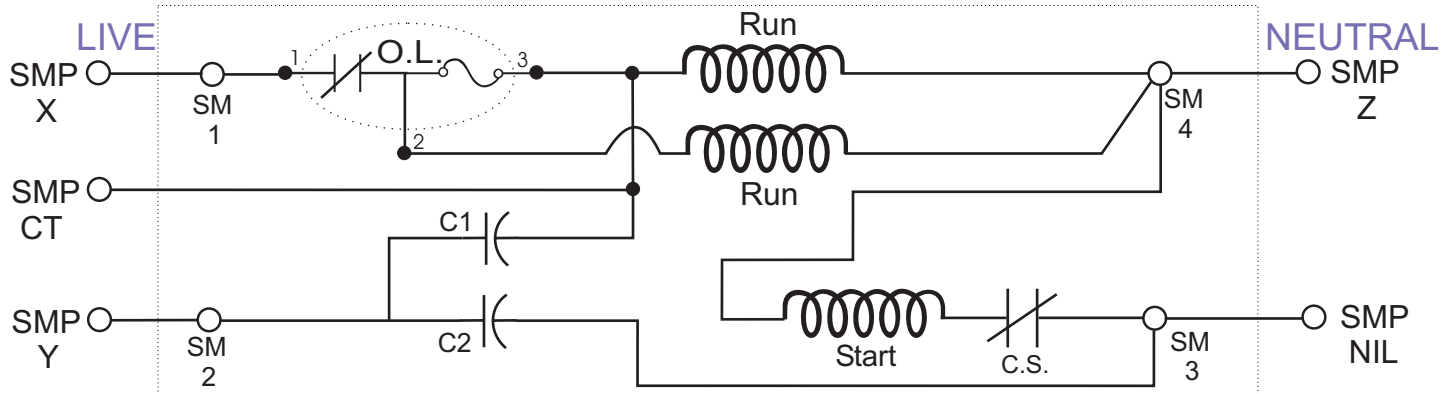


Solid State Start Switch (Combination)

General Electric Table and Sweep Motors AMF 82-30
Westinghouse Table and Sweep Motors AMF 82-30

Dual Voltage 115/230V motor
 115V supply voltage

Before 82-30

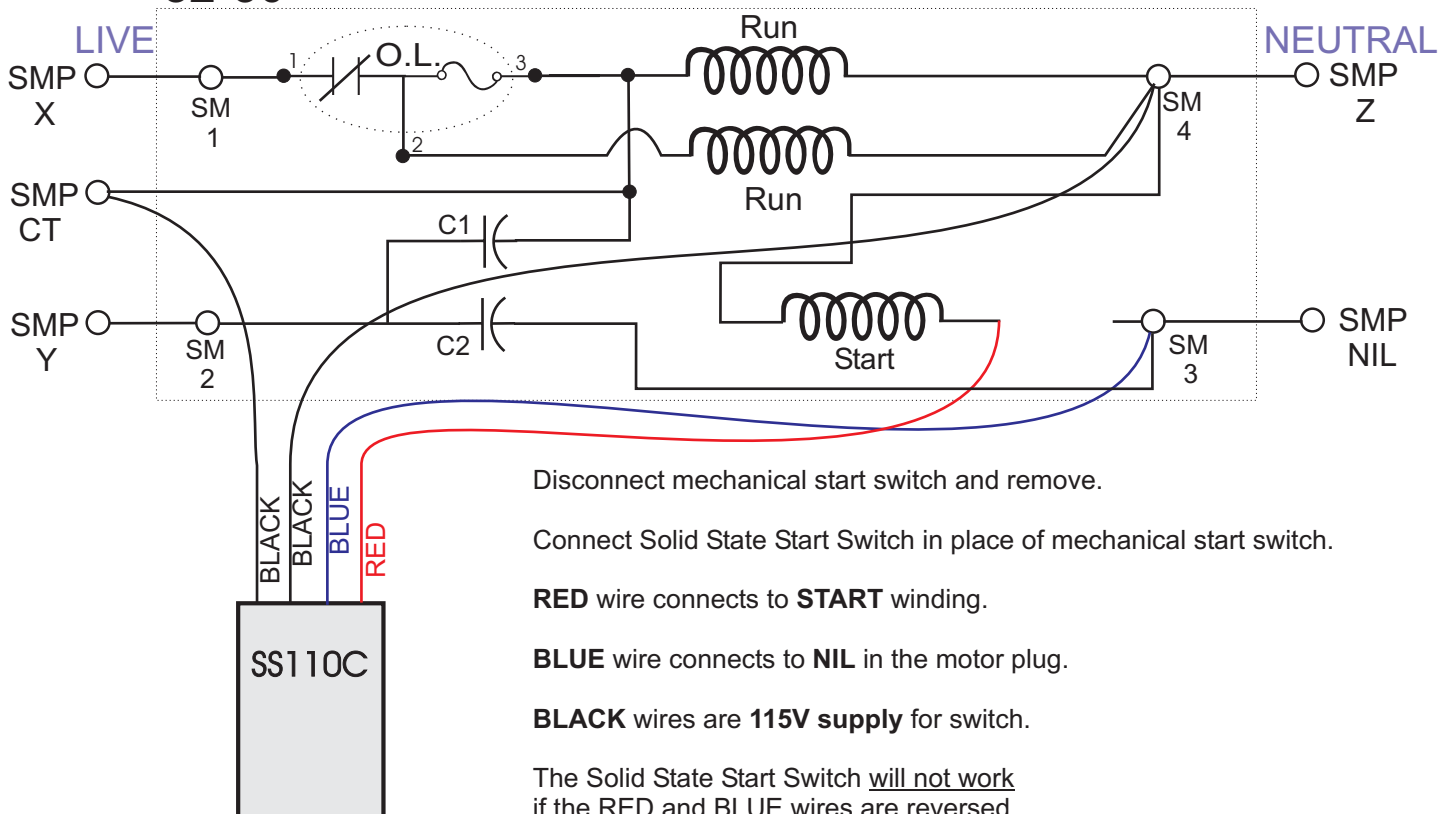


The RED and BLUE wires of the Solid State Start Switch take the place of the mechanical start switch.

The two BLACK wires supply 115V to power the switch.

The Solid State Start Switch senses the load on the motor by constantly measuring the current draw in order to determine when and for how long the START windings are required to be in-circuit.

After 82-30



Disconnect mechanical start switch and remove.

Connect Solid State Start Switch in place of mechanical start switch.

RED wire connects to **START** winding.

BLUE wire connects to **NIL** in the motor plug.

BLACK wires are **115V supply** for switch.

The Solid State Start Switch will not work if the RED and BLUE wires are reversed.