



Solid State Start Switch SS110BE (BACKEND)

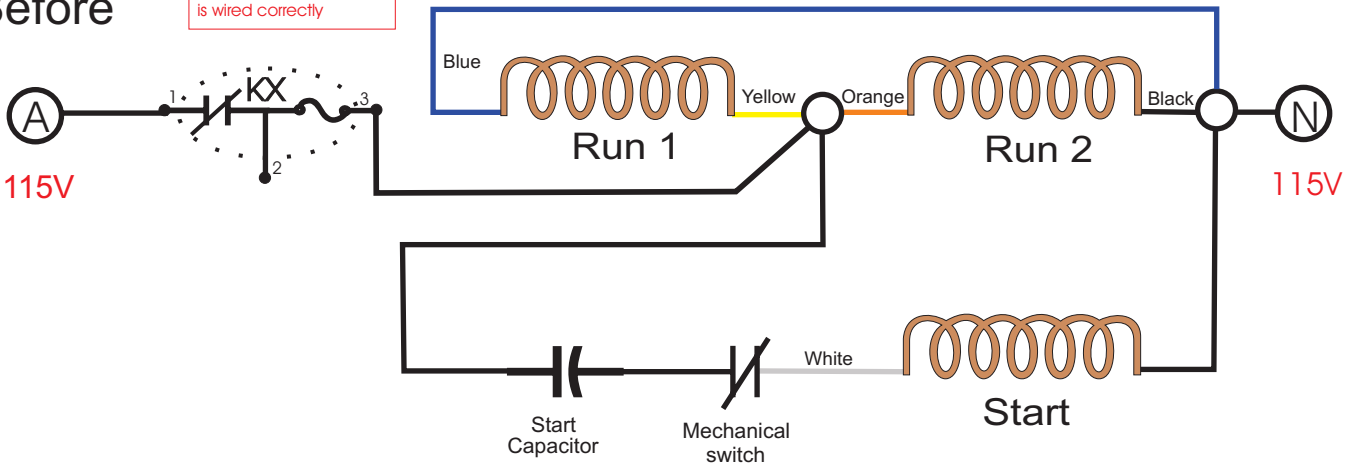
Franklin Dual Voltage Ball Return Motors - AMF Ball Returns

Dual Voltage 115/230V motor 115V supply voltage

We have found more than one internal wiring configuration for Franklin motors. We call this **TYPE 2**

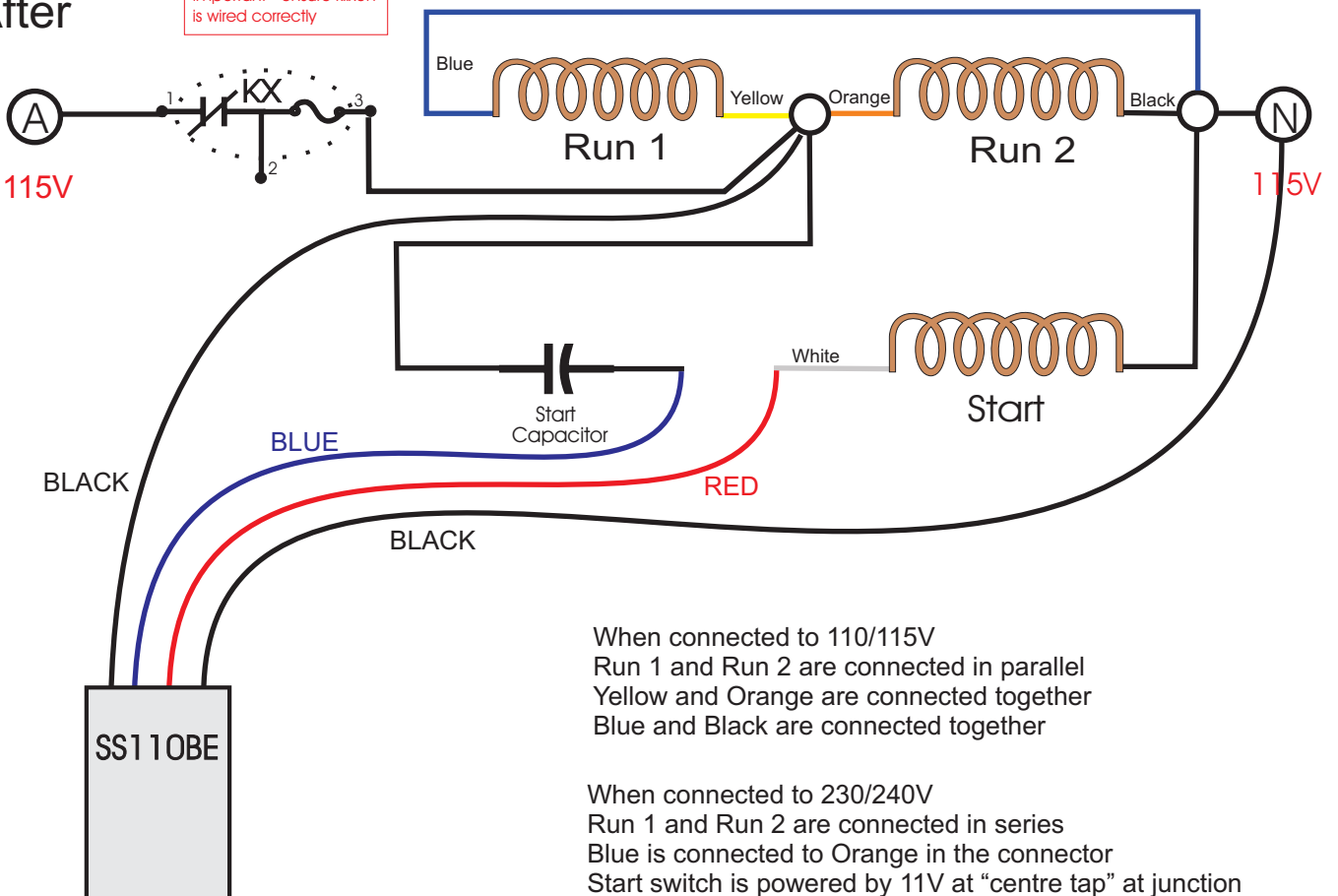
Before

Important - ensure klixon is wired correctly



After

Important - ensure klixon is wired correctly



When connected to 110/115V
Run 1 and Run 2 are connected in parallel
Yellow and Orange are connected together
Blue and Black are connected together

When connected to 230/240V
Run 1 and Run 2 are connected in series
Blue is connected to Orange in the connector
Start switch is powered by 11V at "centre tap" at junction between Run 1 and Run 2