

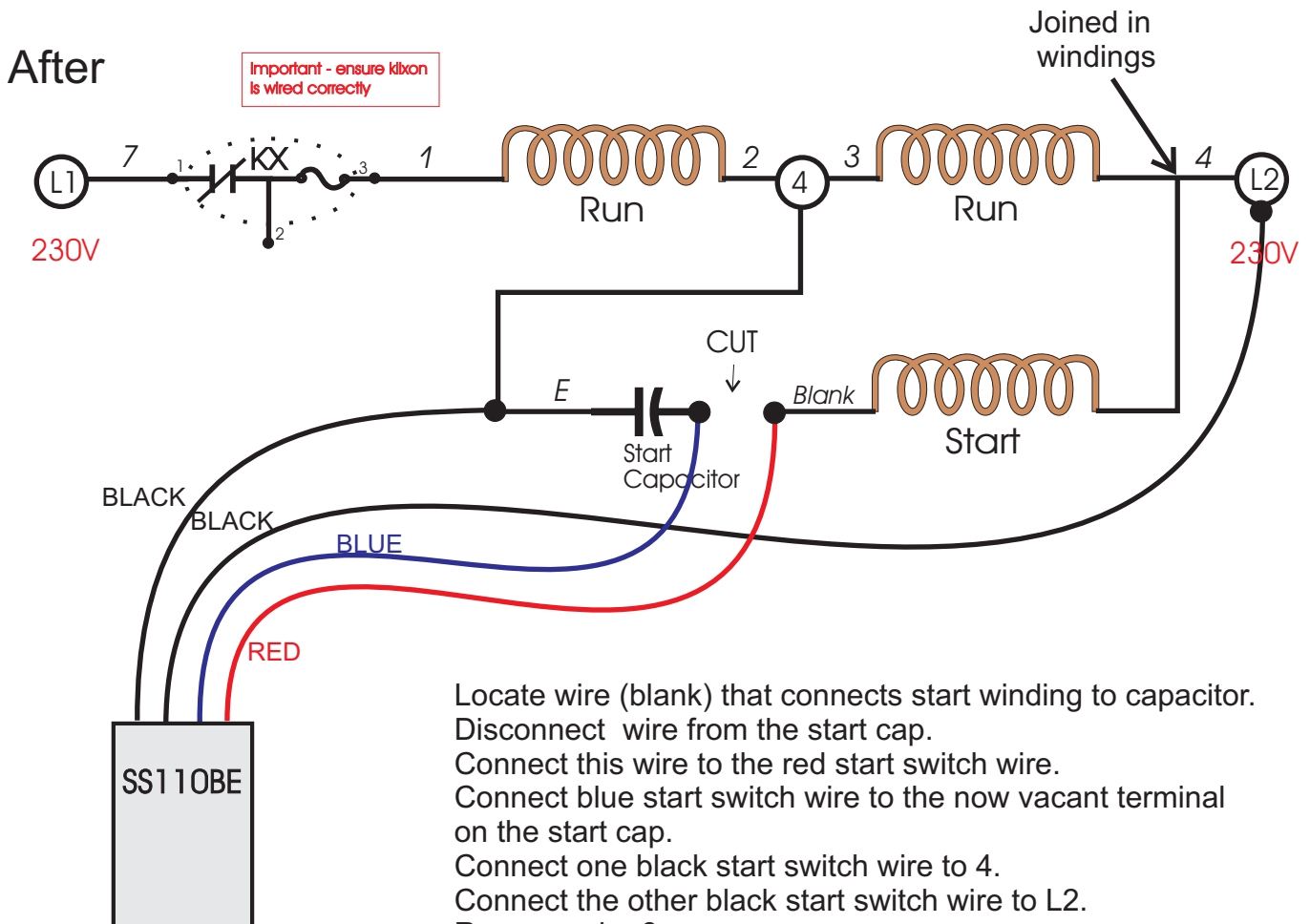
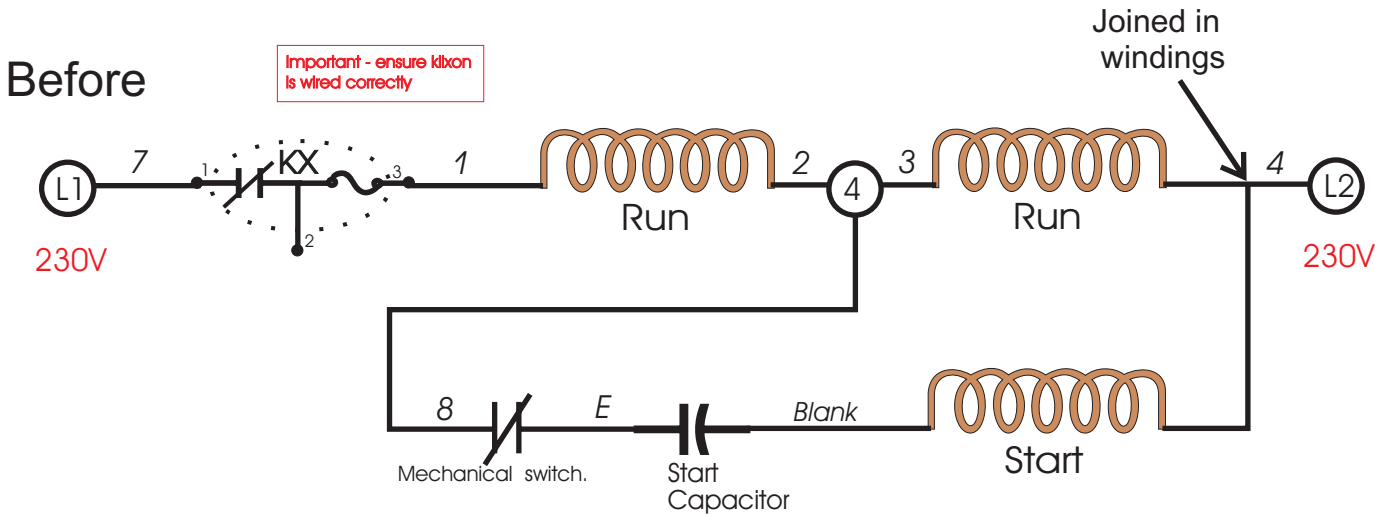
Solid State Start Switch

SS110BE (BACKEND)

Baldor Dual Voltage Ball Return Motors - AMF Ball Returns

Dual Voltage 115/230V motor 230V supply voltage

Wire numbers are in *italics*.



- Locate wire (blank) that connects start winding to capacitor.
- Disconnect wire from the start cap.
- Connect this wire to the red start switch wire.
- Connect blue start switch wire to the now vacant terminal on the start cap.
- Connect one black start switch wire to 4.
- Connect the other black start switch wire to L2.
- Remove wire 8.
- Connect wire from start cap to 4.